

# CO 분석기

대기 | 실내 | 작업환경

## CO Analyzer



Model : ML9830

### 용도

### Applications

- 대기 및 실내 공기 중의 CO 가스 농도 연속 모니터링
- 대기 오염 측정망 구성에 사용

### 특징

### Features

- 형식승인 : US-EPA, TUV, MCERTS, CE
- 긴 수명의 IR source, GFC wheel로 운영상 문제점 최소화
- 12VDC 전원으로 안전성과 낮은 전력 소비를 실현
- 자가 진단 및 RS232를 통한 원격 관리 기능
- 자동 ZERO 교정 가능

## SPECIFICATIONS

### Range

- Display & digital output : Auto ranging 0 to 200 ppm  
Display resolution : 0.01 ppm  
Serial output resolution : 1 ppt

- Analogue output : 0 ~ full scale from 0-1 ppm to 0-200 ppm with 0, 5 and 10% offset (with optional 50-pin I/O board)

- Auto-ranging Analogue output : 2 user-specified 0-full scale range values.

### Noise

- USEPA designated range : Any full scale range between 0-5ppm and 0-100 ppm

- Measurement process : 0.025 ppm or 0.1 % of concentration reading, whichever is greater. with Kalman filter algorithm active.

- Analogue interface : 0.025 ppm or 0.1 % of analogue output full scale, whichever is greater.

### Sensitivity. Lower detectable limit

- Measurement process : <0.05 ppm or 0.2 % of concentration reading, whichever is greater. With Kalman filter algorithm active.

- Analogue interface : <0.05 ppm or 0.2 % of analogue output FS (whichever is greater.)

### Zero Drift

- Temperature dependent : <0.01 ppm per °C

- Time dependent (fixed temperature): <0.1 ppm 24hrs.

< 0.1 ppm/ 30 days

### Span Drift

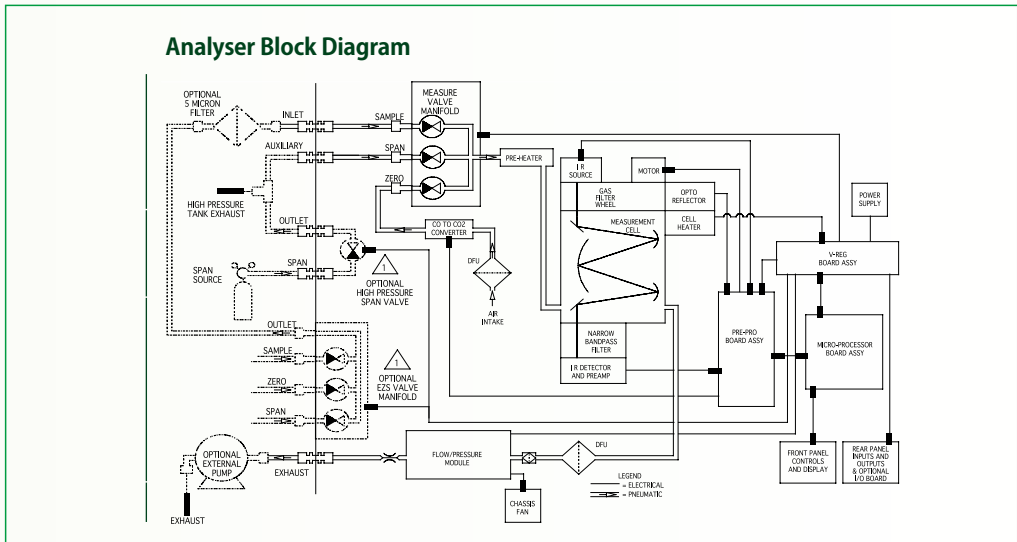
- Temperature dependent : 0.5 % per °C

- Time dependent (fixed temperature): <0.5 % / 24 hrs.

Of concentration reading, <0.5 % / 30 days of concentration reading

Lag Time : <20 seconds.

Rise/Fall time, T95 : <40 seconds (Kalman filter algorithm active).



Linearity Error	± 1 % of full scale (from best straight-line fit).
Precision	0.1 ppm or 1 % of concentration reading (whichever is greater)
Sample flow Rate	Approx. 1.0 L/min
Ambient Temperature Range	TUEV : 5 °C to 40 °C USEPA designated range : 15 °C to 35 °C
MainsPower	99 to 132 VAC, or 198 to 264 VAC, 47 to 63 HZ
Weight	21 kg
Dimensions ( W x H x D )	432 mm × 178 mm × 648 mm
User interface Analogue Output	Menu selectable current output of 0-, 2- and 4-20 mA(on DB50 at back panel), optional jumper selectable voltage output with 50 pin connector board of 100 mV, 1 V, 5 V and 10 V, With menu Selectable zero offset of 0.5 % or 10 %.
User interface Digital output	Multi-drop RS232 port shared between analyzers for data, Status and control. DB50 with discrete status, user control and analogue output.
Extended Memory	Storage - 288 Kbytes, battery backed SRAM device. Compatible RS232 with all common terminal programs. Min-Max storage from one minute conc. Period of 8.5 days up to 60 minutes conc. Period of 512 days.
Optional components	50 pin I/O PCA, Sample pump, particulate filter. External Zero/Span(EZS) Value manifold kit. Internal S/S valve for pressurised external span calibration source.

## CONFIGURATIONS

Multi Drop RS232 serial interface	1 ea
Built in CO/CO2 Zero Air Scrubber	1 ea
Operation and Service Manual	1 ea
External Vacuum Pump, 230V/50Hz, 4slpm@20 in Hg	1 ea
Sample Inlet Particulate Filter Assy(Holds 47mm Filter)	1 ea
Sample Inlet Filter Elements, 47mm, 5 Micron (50ea)	1 box
Valve Manifold Kit, External Zero/Span(EZS)	1 ea

## OPTIONAL ACCESSORIES

I/O PC-Board, 50 PIN (mV, V)	1 ea
Service Kit for 6 month operation	1 set
Rack Mount Kit with Slides	1 set
Rack Mount Kit without Slides	1 set
CO Standard Gas Cylinder, Regulator	1 set